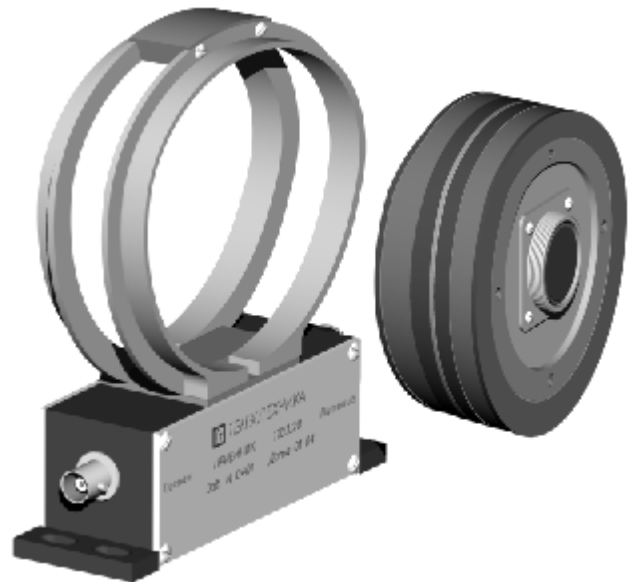


## Telemetry TT03

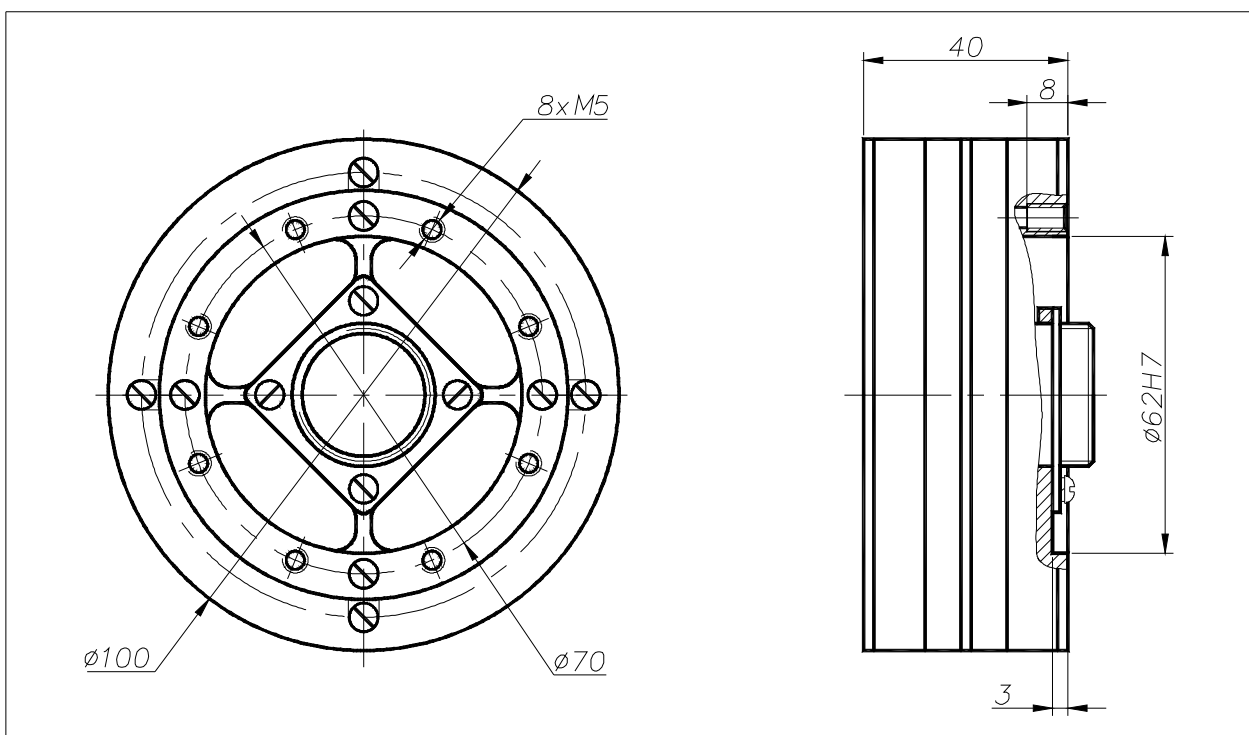
Telemetry TT03 is the 23-channel telemetry system for contactless transmission of signals from the strain gauges mounted on the rotating machine parts to the stationary measuring unit or data acquisition system. It is the 12-bit digital system with 15 fast channels (4 kHz sampling rate) and 8 slow channels (250 Hz sampling rate). Transmitter and strain gauges are fed with power inductively.

### Special features:

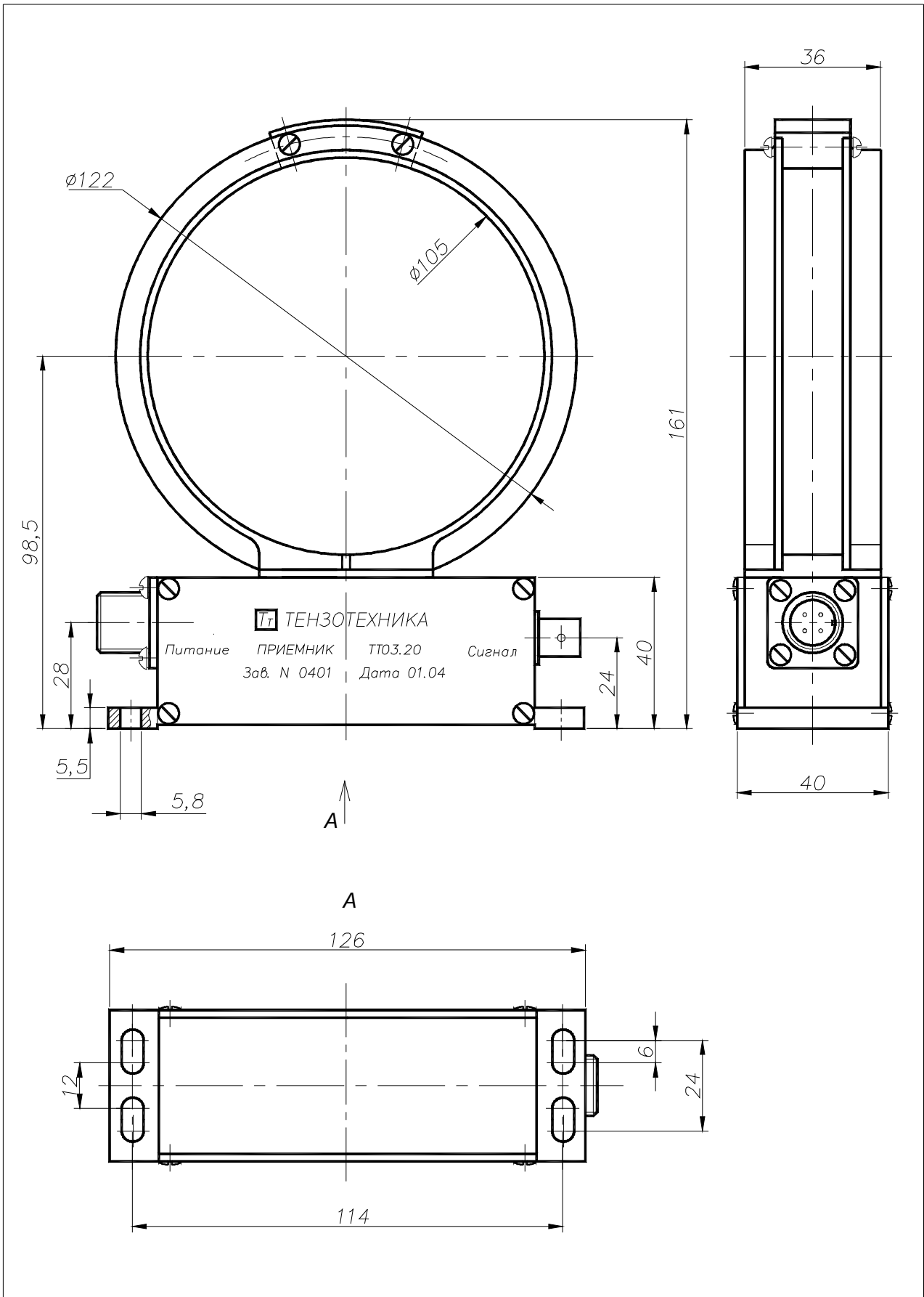
- 23-channel programmable transmitter
- 12-bit digital telemetry
- Inductive power supply
- USB 2.0 adapter
- Appropriate software for MS-Windows
- Multi-channel measuring unit



### Dimensions Transmitter, mm



# Dimensions Receiver, mm



## Technical Data

Type		TT03
Number of fast measuring channels		15
Number of slow measuring channels		8
Sampling rate of fast channels	1/s	4000
Sampling rate of slow channels		250
Cut-off frequency of input amplifiers (-3 dB)	Hz	0...2000
Permissible strain gauge full bridge resistance	$\Omega$	$\geq 350$
Nominal input signal	mV/V	$\pm 2$ (other on request)
Bridge excitation voltage	V	5
Resolution of the AD converter	Bit	12
Differential non-linearity of the AD converter		$\pm 1$ LSB
Temperature effect in the nominal temperature range on the zero point	mV/V/10° C	$10^{-4}$
Operating voltage of receiver	V	$12 \pm 0,6$
Current consumption of receiver	A	$\leq 2$
Interface		USB2.0
Nominal temperature range	° C	-40...+50
Permissible acceleration	m/s <sup>2</sup>	30000
Degree of protection		IP52
Weight of transmitter	g	750± 50
Weight of receiver	g	500± 50

## Scope of delivery

Transmitter TT03.1	1
Receiver TT03.2	1
Decoder TT03.3 (on request)	1
USB adapter TT03.4	1
Connection cable, 10m	2
Operating manual	1

Modifications reserved.

TILKOM can produce telemetry systems according to Customized specific requirements. Contact us for a free consultation to see how we can solve your measurement problems.

**TILKOM Ltd**

Post code, 220116, box 236, Minsk, Republic of Belarus

Phone/fax (+375-17) 271-34-27, ph. 284-01-76. E-mail: [info@tilkom.com](mailto:info@tilkom.com) [www.tilkom.com](http://www.tilkom.com)