

Telemetry TT02

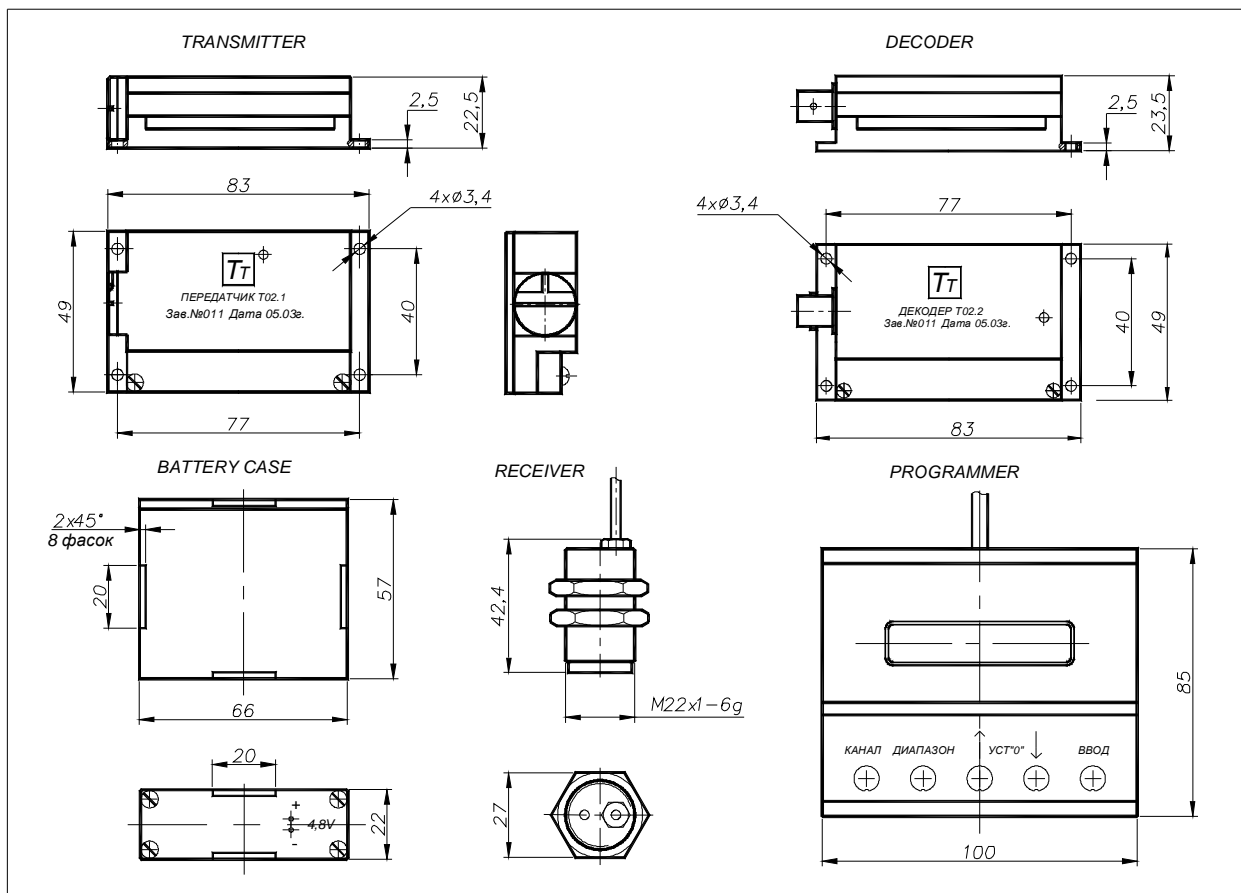
Telemetry TT02 is the 7-channel telemetry system for amplifying and contactless transmission of signals from the strain gauges mounted on the rotating machine parts to the stationary measuring unit or data acquisition system. It is suitable for measurements of various physical quantities such as strains, forces, torque, when the strain gauges technology is applied.



Special features:

- 7-channel programmable transmitters
- Digital bridge balancing
- Digital measuring range setting
- Service channel for nominal output signal, zero signal and excitation voltage control
- High-level analog output signal
- Multi-channel measuring unit
- Power supply by battery or rotating transformer

Dimensions, mm



Technical Data

Type		TT02
Number of measuring channels		7
Permissible strain gauge full bridge resistance	Ω	200...1000
Nominal input signal, switchable in 4 steps	mV/V	0.25; 0.5; 1; 2
Characteristic tolerance	%	± 0.5
Bridge balance range in 128 steps	mV/V	± 0.98
Bridge excitation voltage	V	3.5...5.5
Nominal output voltage of decoder at nominal input signal	V	± 5 3 ± 2.5 on request
Temperature effect per 10K in the nominal temperature range on the zero point at the decoder output	%	<0.2
Measurement frequency range (-3dB)	Hz	0...200
Signal to noise ratio	dB	>60
Channel-to-channel isolation	dB	-52
Operating voltage of transmitter	V	4.8 (3.5...5.5)
Operating voltage of decoder	V	± 8
Operating current of transmitter (without bridge connected)	mA	<35
Nominal temperature range	$^{\circ}\text{C}$	-40...+50
Permissible acceleration	m/s^2	30000
Degree of protection		IP52
Weight of transmitter	g	110 ± 5
Weight of decoder	g	105 ± 5
Weight of receiver (without cable)	g	80 ± 5
Weight of battery	g	115 ± 5

Scope of delivery

Transmitter T02.1	1
Decoder T02.2	1
Receiver T02.3	1
Battery case T02.4	1
Programmer T0017	1
Operating manual	1

Accessories, to be ordered separately:

1. Rotating transformer TB01 or TB10
2. Multi-channel measuring unit

Modifications reserved.

TILKOM can produce telemetry systems according to Customized specific requirements. Contact us for a free consultation. We are able to find optimum technical and economic solution to your measurement task.

TILKOM Ltd

Post code, 220116, box 236, Minsk, Republic of Belarus

Phone/fax (+375-17) 271-34-27, ph. 284-01-76. E-mail: info@tilkom.com www.tilkom.com